

HANGING PLANTER



MATERIALS

- 1x6 7" Cedar (2) (front/back)
- 1x6 5½" Cedar (3) (sides/bottom)
- 1¼" galvanized nails (16)
- #10x1½" screw hooks (2)
- #16 24" single Jack chain (1)

ASSEMBLY TOOLS

- Hammer
- Tape measure
- Pencil
- Drill
- ⅛" Drill bit
- Screwdriver (if needed)

TIP:

Predrilling holes for the nails and starting the nails in the holes will make the assembly process easier.



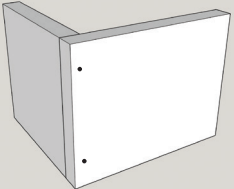

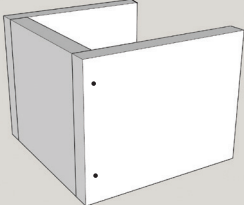

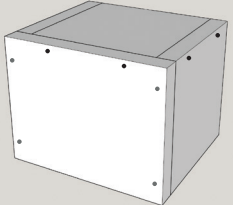

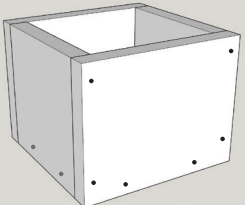

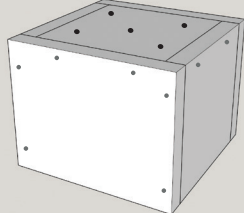

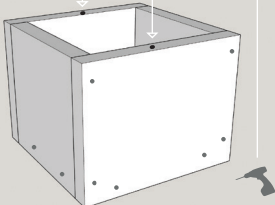

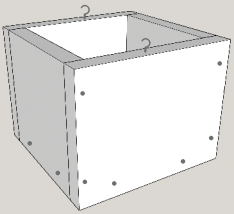

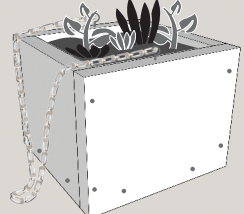






AND



www.enerstructa.com

	<p>STEP ONE </p> <p>Attach one 7" 1x6 piece to one 5½" 1x6 piece with two nails.</p>		<p>STEP TWO </p> <p>Attach the second 7" 1x6 to the opposite side of the 5½" 1x6 with two nails.</p>		<p>STEP THREE </p> <p>Attach the bottom 5½" 1x6 with two nails per side.</p>
	<p>STEP FOUR </p> <p>Attach the last 5½" 1x6 side with six nails to finish the box frame.</p>		<p>STEP FIVE </p> <p>Drill a few ⅛" holes in the bottom for drainage.</p>		<p>STEP SIX </p> <p>Drill two ½" deep holes on opposite sides for the screw hooks.</p>
	<p>STEP SEVEN </p> <p>Screw in hooks by hand or, if needed, with a screwdriver for leverage.</p>		<p>STEP EIGHT </p> <p>Attach chain, add a plant, hang and enjoy your new hanging planter!</p> <p>Tip: Different wall materials require different types of fasteners. Use fasteners suitable for your walls.</p>	<p>NOTES:</p> <hr/> <hr/> <hr/>	
