

# TOOLBOX

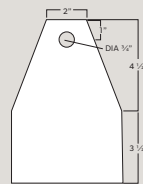


## MATERIALS

- 1x6 8" Fir (2) (ends)
- 1x4 14½" Fir (2) (sides)
- ¾" 5½" x 16" Plywood (1) (bottom)
- ¾" Dowel, length 16" (1) (handle)
- 1½" Finish nails (8)
- 1" Finish nails (10)
- Wood glue
- Chalkboard paint

## ASSEMBLY TOOLS

- Hammer
- Rubber mallet
- Tape measure
- Pencil
- Drill for predrilling
- Paint brush or foam brush



**NOTE:**  
End pieces require cuts and holes drilled prior to assembly.

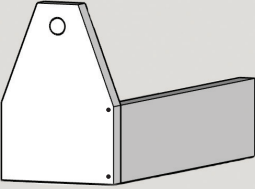

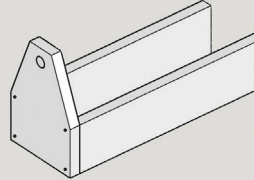

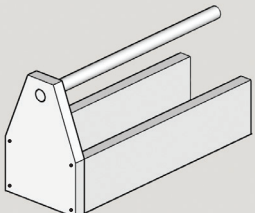

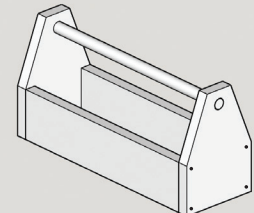

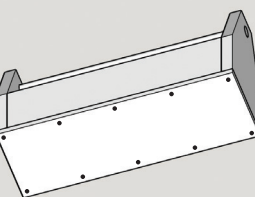

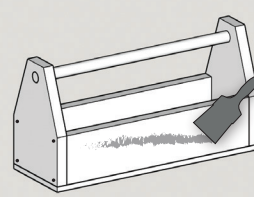



**AND**

[www.enerstructa.com](http://www.enerstructa.com)

	<p><b>STEP ONE</b> </p> <p>Take one 1x6 end piece and one 1x4 side piece and attach them with wood glue and two 1½" nails.</p> <p>Tip: Predrilling holes for the nails and starting the nails in the holes will make the assembly process easier.</p>		<p><b>STEP TWO</b> </p> <p>Attach the other 1x4 side piece to the 1x6 end piece with wood glue and two 1½" nails.</p>
	<p><b>STEP THREE</b> </p> <p>Add wood glue to the hole for the ¾" dowel and insert the dowel so it's flush with the outside face of the 1x6, using a rubber mallet if necessary.</p>		<p><b>STEP FOUR</b> </p> <p>Squeeze wood glue into the dowel hole in the other 1x6 and on the ends of the 1x4 pieces. Slide the 1x6 end piece onto the dowel so it's flush on the outside. Use two 1½" nails per side to attach the end to both side pieces.</p>
	<p><b>STEP FIVE</b> </p> <p>Attach the ¾" plywood bottom piece with wood glue and ten 1" nails.</p>		<p><b>STEP SIX</b> </p> <p>Paint your toolbox with chalkboard paint for handy notes and math equations, and it's ready for your next DIY project!</p>

NOTES:

---



---



---



---